

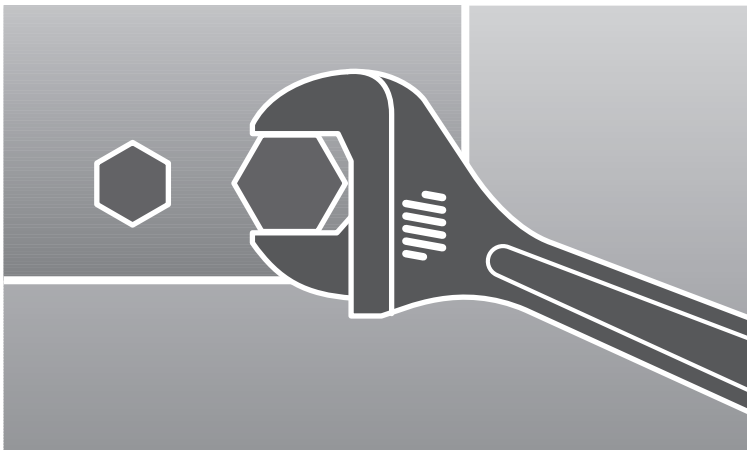


INSTALLATION MANUAL

Wired Remote Control

MMR-SH00

System Air Conditioner



Safety Precautions

This installation manual describes how to install the wired remote control.

For installation of other optional accessories, refer to the appropriate installation manual.



WARNING

- ◆ Read carefully this installation manual before installation and check if the wired remote control is installed correctly after installation.
- ◆ Do not attempt to install or repair this wired remote control by yourself.
- ◆ This wired remote control contains no user-serviceable parts. Always consult authorized service personnel for repairs.
- ◆ When moving, consult authorized service personnel for disconnection and installation of the wired remote control.
- ◆ Ensure that the wall is strong enough to support the weight of the wired remote control.
- ◆ Must install the wired remote control with rated power supply.
- ◆ The wired remote control must be installed according to the national electrical rules by an installation specialist.
- ◆ If you wish to uninstall the wired remote control, consult an authorized installation center.



CAUTION

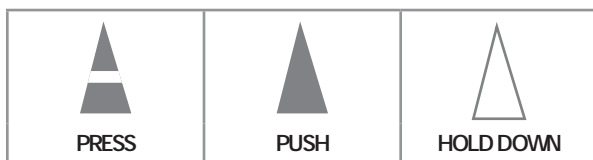
- ◆ Do not use inflammable gases near the wired remote control.
- ◆ Do not install the wired remote control in a location where it will come into contact with combustible gases, machine oil, sulphide gas, etc.
- ◆ Avoid locations where acid/alkali solution or special spray is used.
- ◆ Choose a location that is dry and sunny, but not exposed to direct sunlight. Suitable temperature is between 0°C and 39°C.
- ◆ Do not spill water into the wired remote control.
- ◆ Do not apply tensile strength to the cable to avoid cable damage.
- ◆ Do not press the buttons with a sharp object.
- ◆ Do not connect the power cable to the control terminal.
- ◆ If the wired remote control is installed in a hospital or other special places, it should not affect other electronic devices.

Contents

- ◆ **WIRED REMOTE CONTROL AND ACCESSORIES** 4
 - Accessories 4
- ◆ **INSTALLING THE WIRED REMOTE CONTROL** 5
 - Installation 5
 - Setting the Wired Remote Control Options 6
 - Wired Remote Control Error Codes 6
 - Connecting the Wired Remote Control 7

Note

- ◆ The illustrations will help you to understand the symbols displayed in the pictures
- ◆ The illustrations in the step-by-step procedures use 3 different symbols








Wired Remote Control and Accessories

Accessories

The following accessories are supplied with the air conditioner.

- ◆ The number of each accessory is indicated in parentheses

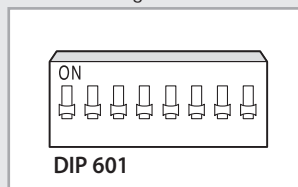
| | | | | |
|--|--|---|--|--|
| Cable Tie (2)  | Cable Clamp (2)  | M4X16 Screw(2)  | User's manual (1)  | Installation manual(1)  |
|--|--|---|--|--|

Caution

- ◆ The wired remote control should be installed by a trained installer.
- ◆ Make sure the main power is off before installing the wired remote control.
- ◆ The cables must be installed according to the national wiring regulations and inside the wall for safety reasons
- ◆ Always separate the communication cable and the power cable to avoid malfunction of the unit. (Connecting the power cable to the communication terminal of the wired remote control will cause serious damage to the wired remote control. Make sure the wires are connected to the appropriate terminals)

Installing the Wired Remote Control (Continued)

* Default setting



Setting the Wired Remote Control Options

| Switch No. | Switch OFF | Switch ON |
|------------|-------------------------------|-------------------------------------|
| SW1 | Cooling and Heating | Cooling Only |
| SW2 | Temp. display : °C | Temp. display : °F |
| SW3 | Allow wireless remote control | Disable the wireless remote control |
| SW4 | - | - |
| SW5 | - | - |
| SW6 | - | - |
| SW7 | - | - |
| SW8 | Master remote control | Slave remote control |

Wired Remote Control Error Codes

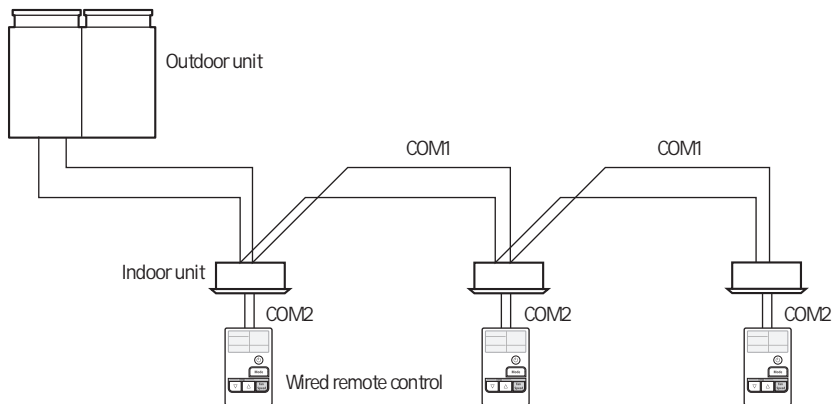
- 1 The error codes of the indoor and outdoor units are displayed on the wired remote control. Refer to the indoor and outdoor unit technical manuals for the error codes reference.
- 2 The following error codes are related to the wired remote control.

| Display | Explanation | Remark |
|---------|--|--|
| E01 | Wired remote control ↔ Indoor unit communication error | - |
| E02 | Master ↔ Slave wired remote control communication error | When using 2 wired remote controls to control one indoor unit. |
| E03 | Communication packet error | - |
| E04 | Wired remote control tracking error No indoor units found | - |
| E05 | 7 Day scheduler error | - |
| E06 | COM1/COM2 installation error | - |
| E07 | COM2 dual master error | - |
| E18 | Excessive indoor unit installation error | - |
| E19 | Temperature units (Celsius/Fahrenheit) mixed setting error of installed indoor units | - |
| E20 | Temperature units (Celsius/Fahrenheit) setting error | - |
| E21 | Master/Slave DIP option setting error | - |

Connecting the Wired Remote Control

Individual Control

- ◆ Using one wired remote control for one indoor unit.



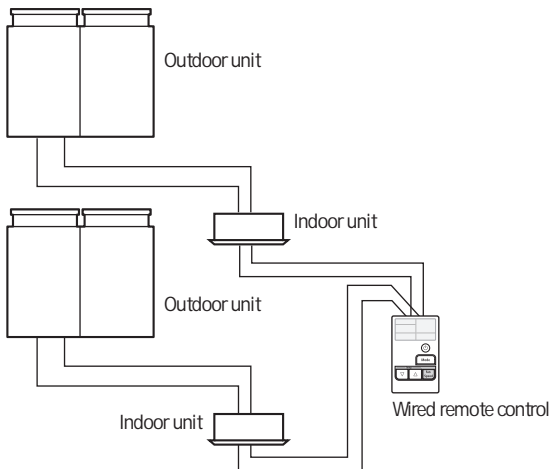
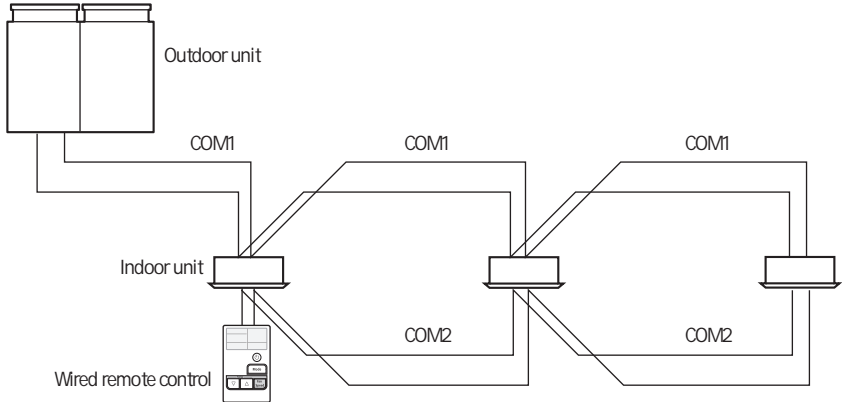
Note The wired remote control can be only installed on COM2.

Installing the Wired Remote Control (Continued)

Connecting the Wired Remote Control

Group Control

- ◆ Using one wired remote control for a group of indoor units

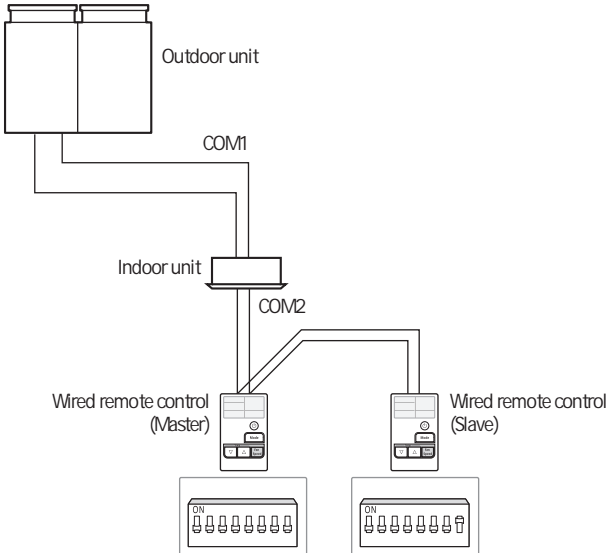


Note

- ◆ Indoor units connected to different outdoor units can be controlled as a group.
- ◆ At most 16 indoor units may be controlled as a group.

Using 2 wired remote controls

- ◆ 2 wired remote controls can be used to control a single indoor unit or a group of indoor units





A series of horizontal dotted lines for writing, spanning the width of the page. The lines are evenly spaced and extend from the left margin to the right margin. There are 20 dotted lines in total, providing a guide for handwriting.

Handwriting practice lines consisting of a solid top line, a dotted midline, and a solid bottom line. There are 20 such rows on the page.

