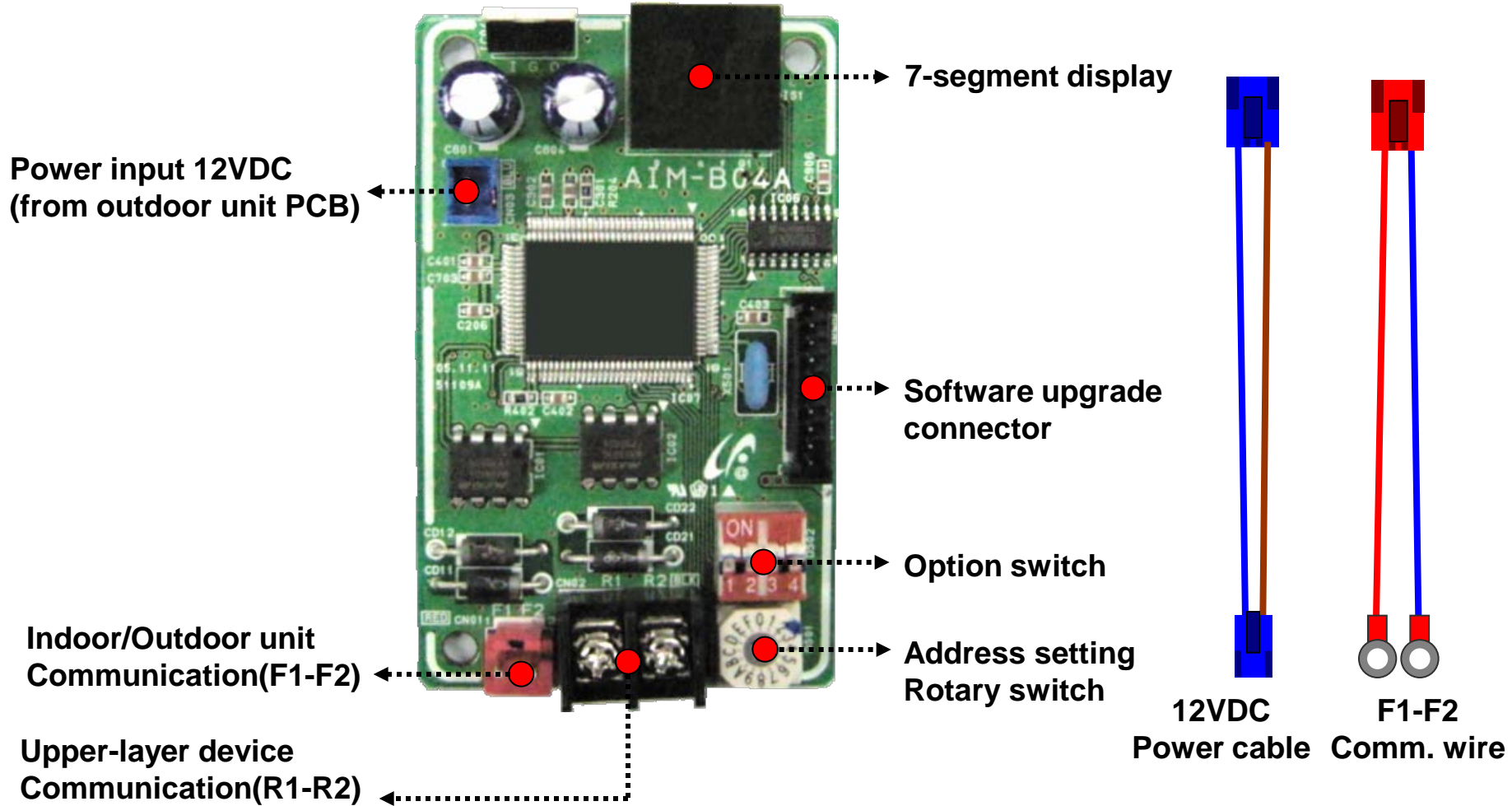


# Interface module

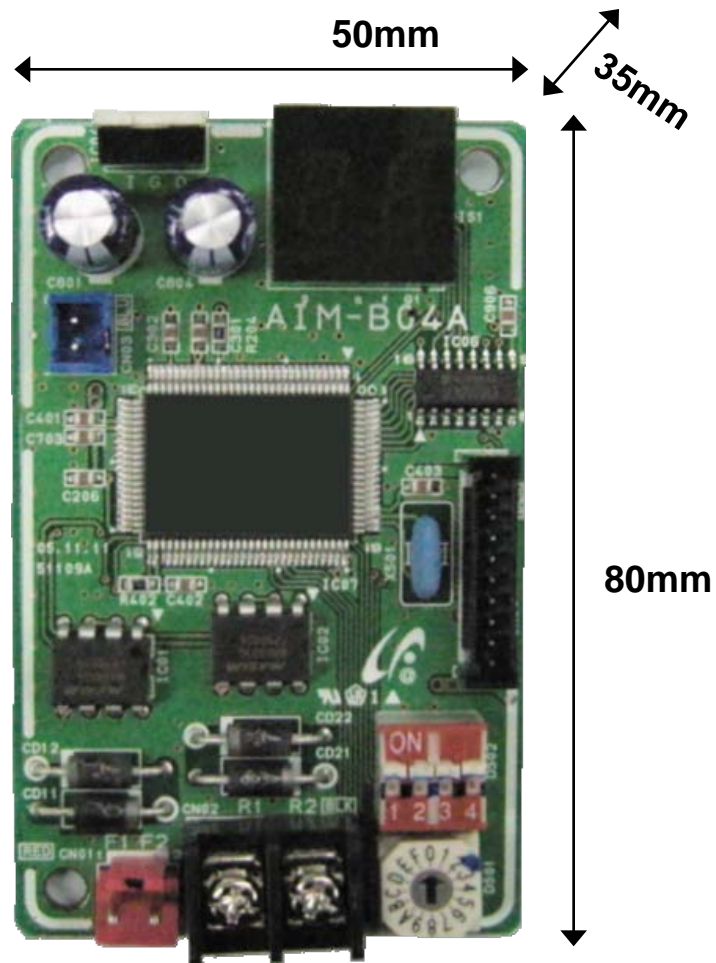


**MIM-B04A**

## - MIM-B04A

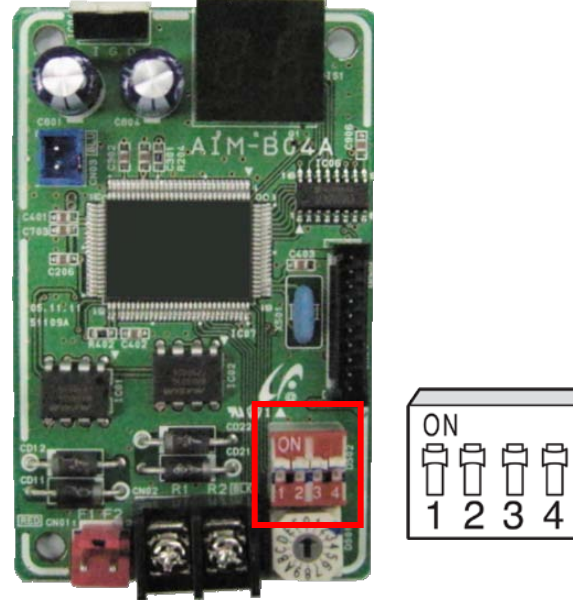


## - Dimensions



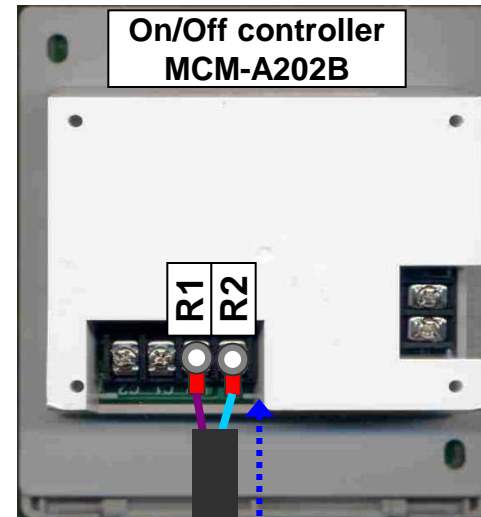
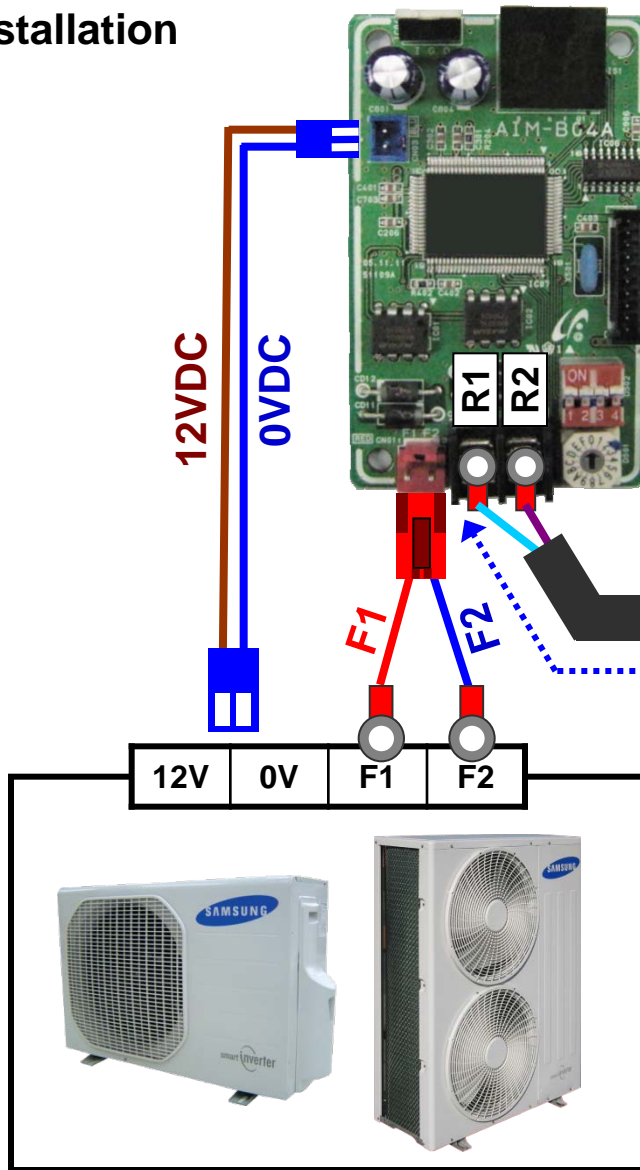
## - Option switch

MIM-B04A



| No    | OFF              | ON               | Note  |
|-------|------------------|------------------|---|
| SW 1  | -                | -                |   |
| SW 2  | -                | -                |   |
| SW3,4 | Software upgrade | Normal operation | Communication error E1 appears If one or both of the switches are set to OFF. |

## - Installation



Max. 1000m

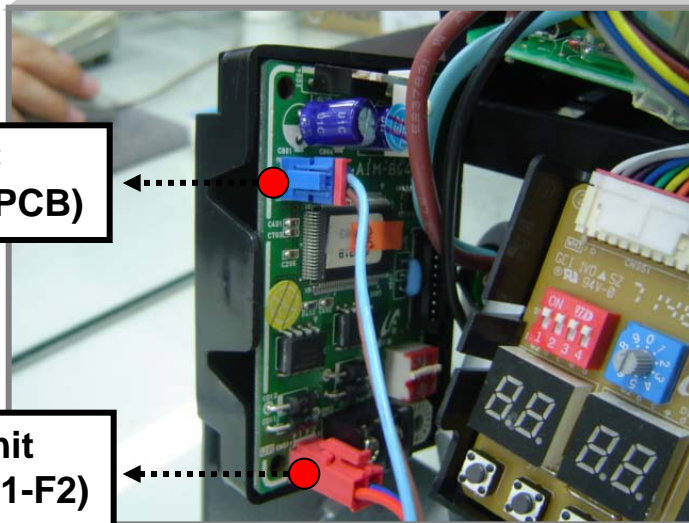
**Max. wiring length (R1/R2)**

- 1000m (0.75~1.5mm<sup>2</sup>, unshielded VCTF/CVV 2P or equivalent)
- Non-polarity

## - Installation

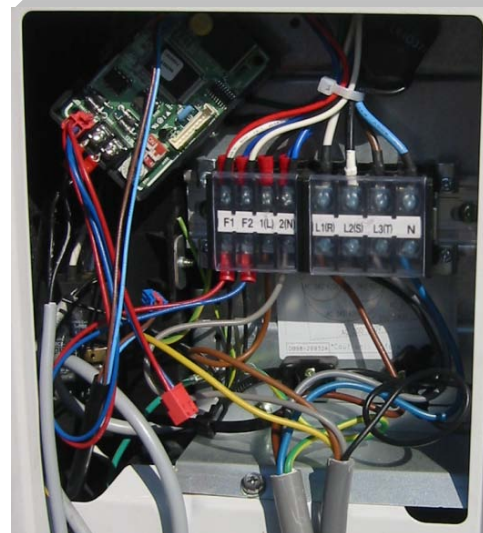


UH105GAV



Power input 12VDC  
(from outdoor unit PCB)

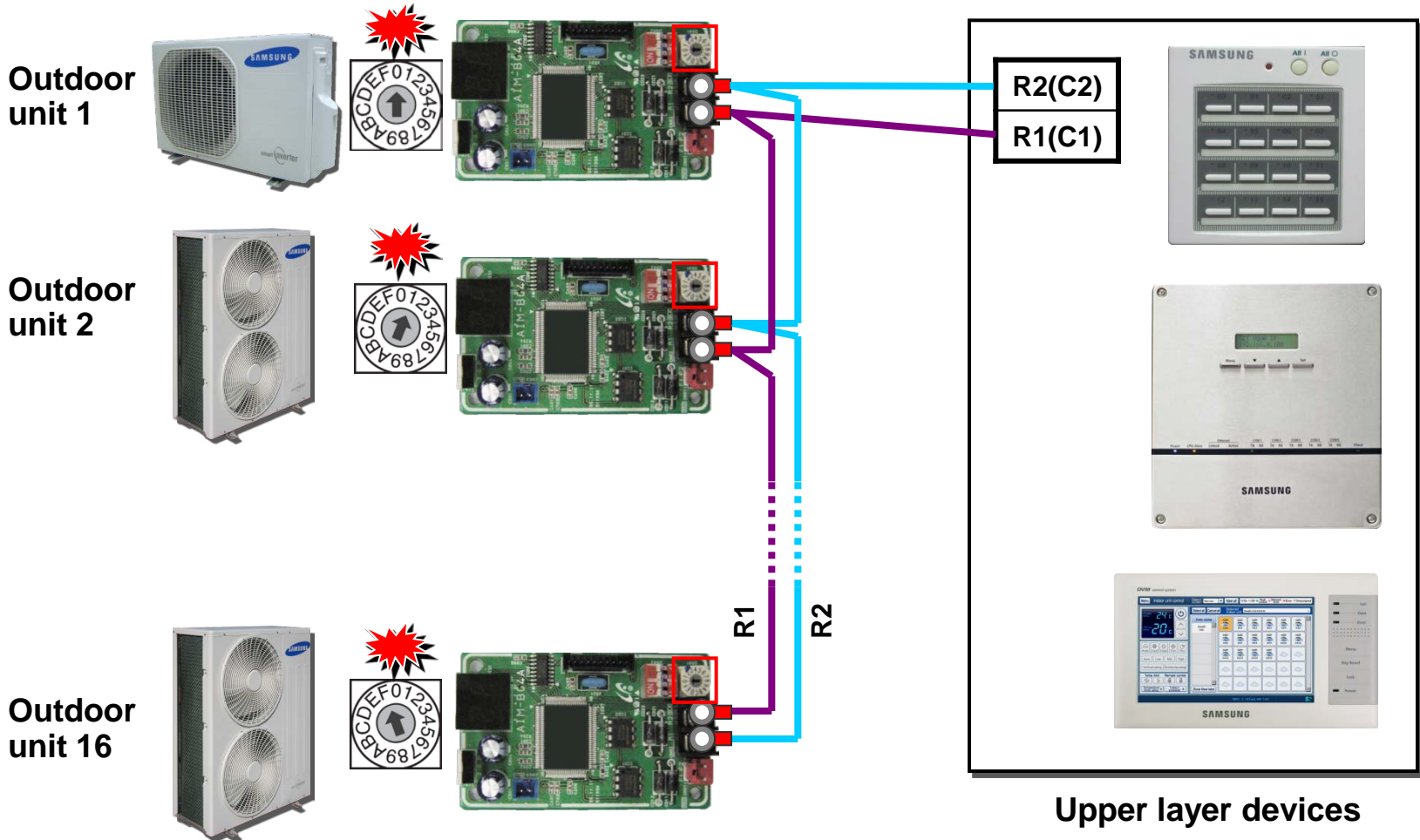
Indoor/Outdoor unit  
Communication(F1-F2)



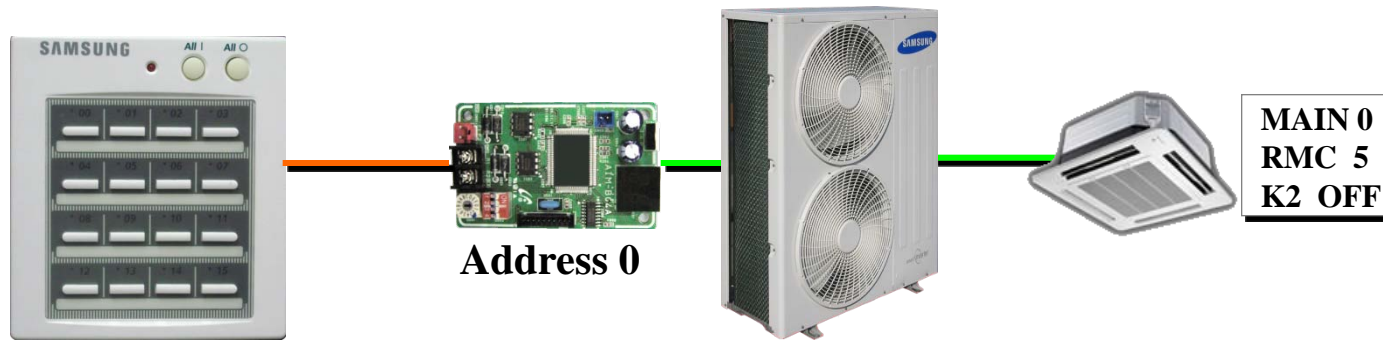
# Interface module – MIM-B04A

## - Address setting

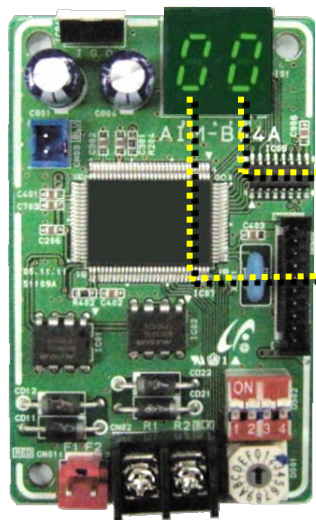
Max.16 interface modules are interfaced to one upper level device with the address range from 0 to F. Their address must be different from one another to avoid communication collision.



## - Display

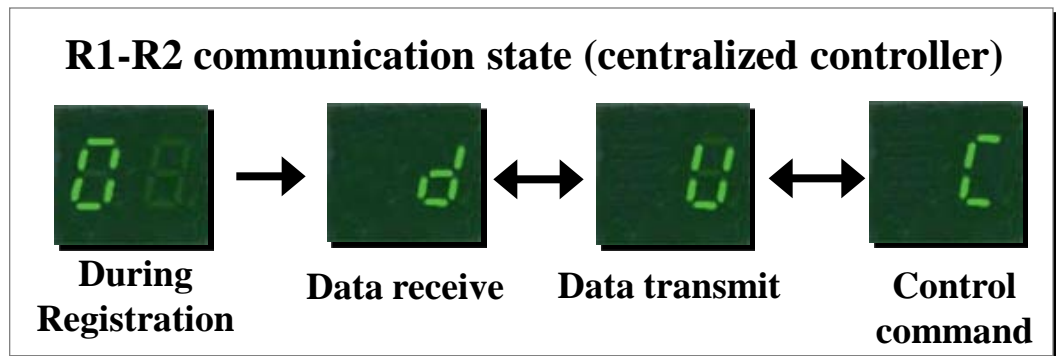
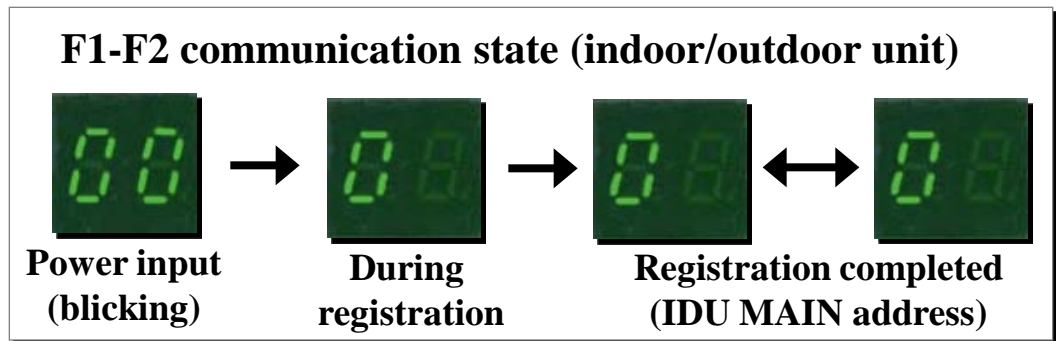


**K3 : OFF**  
**K4 : OFF**



R1-R2 comm.  
state

Indoor unit  
MAIN address



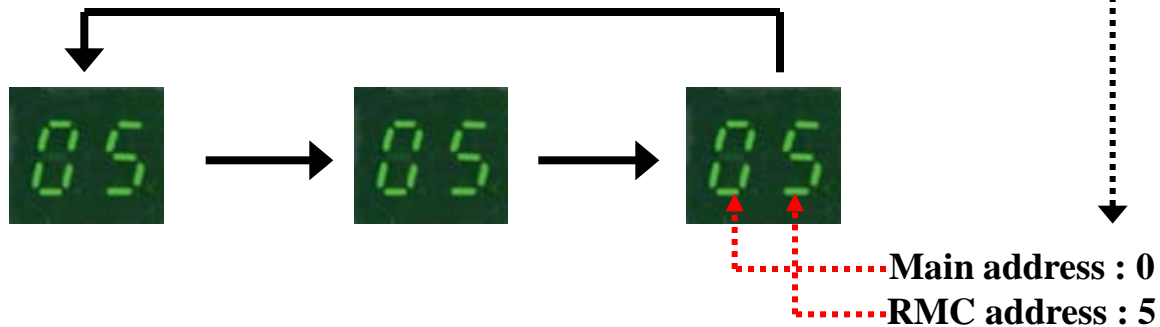


## - Display

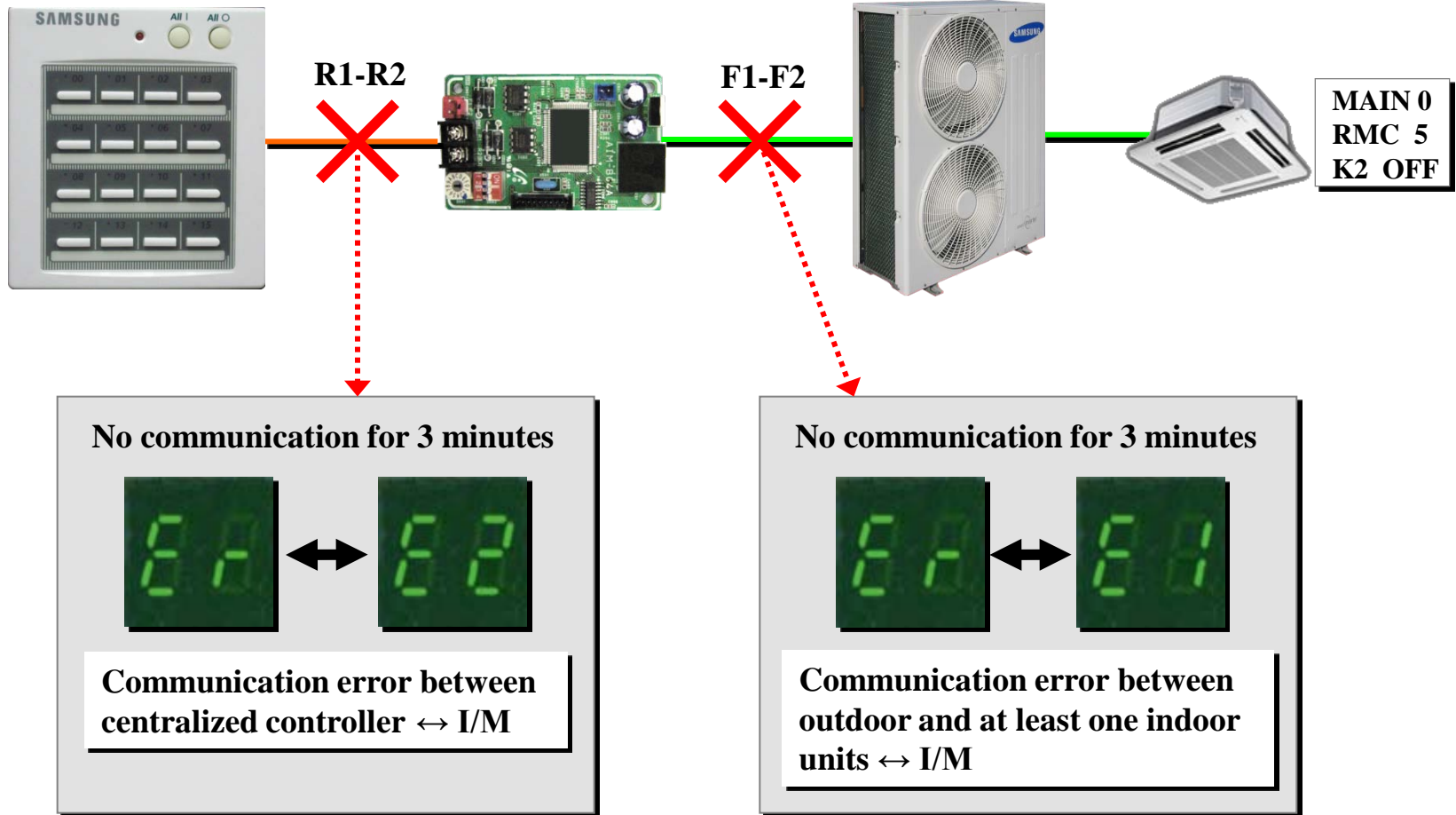


## Single split CAC models

- Main address on the left and RMC address on the right



## - Error display



※ When E1 and E2 errors occur together, E1 is displayed first.