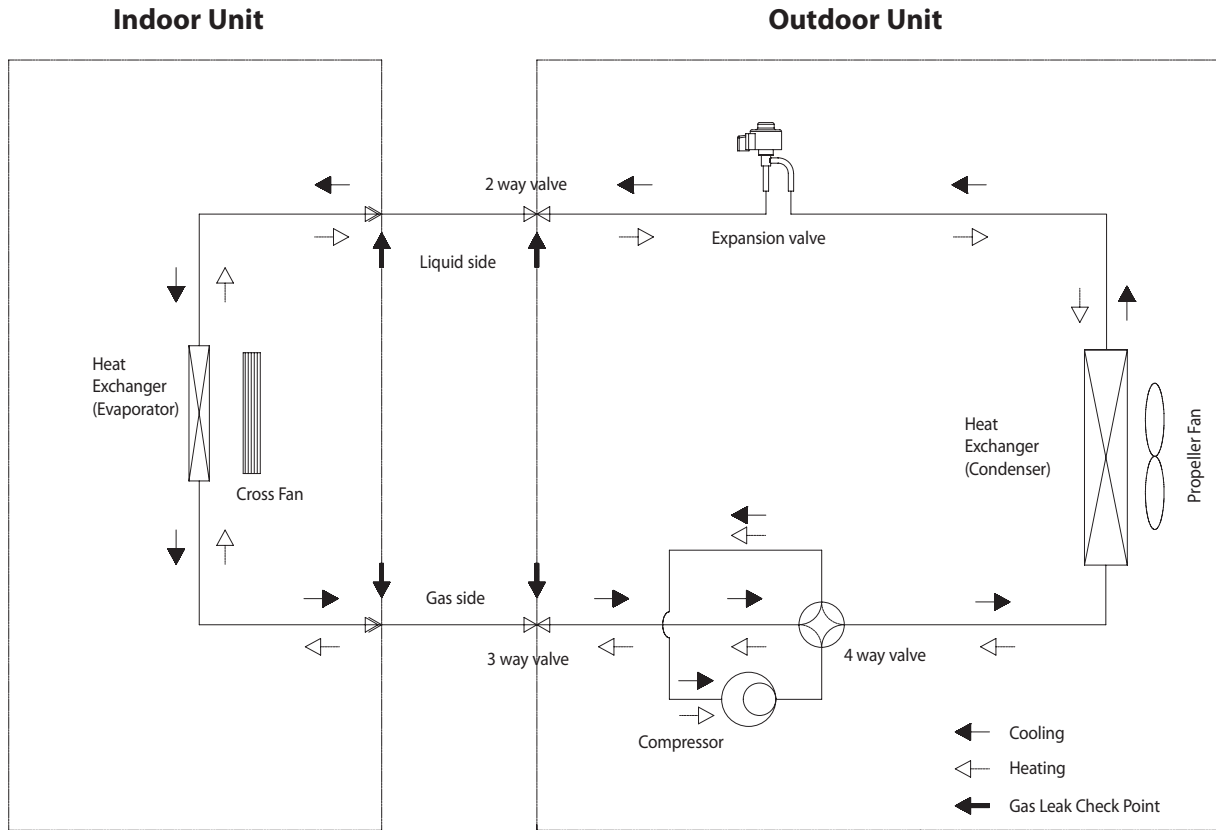


9. Reference Sheet

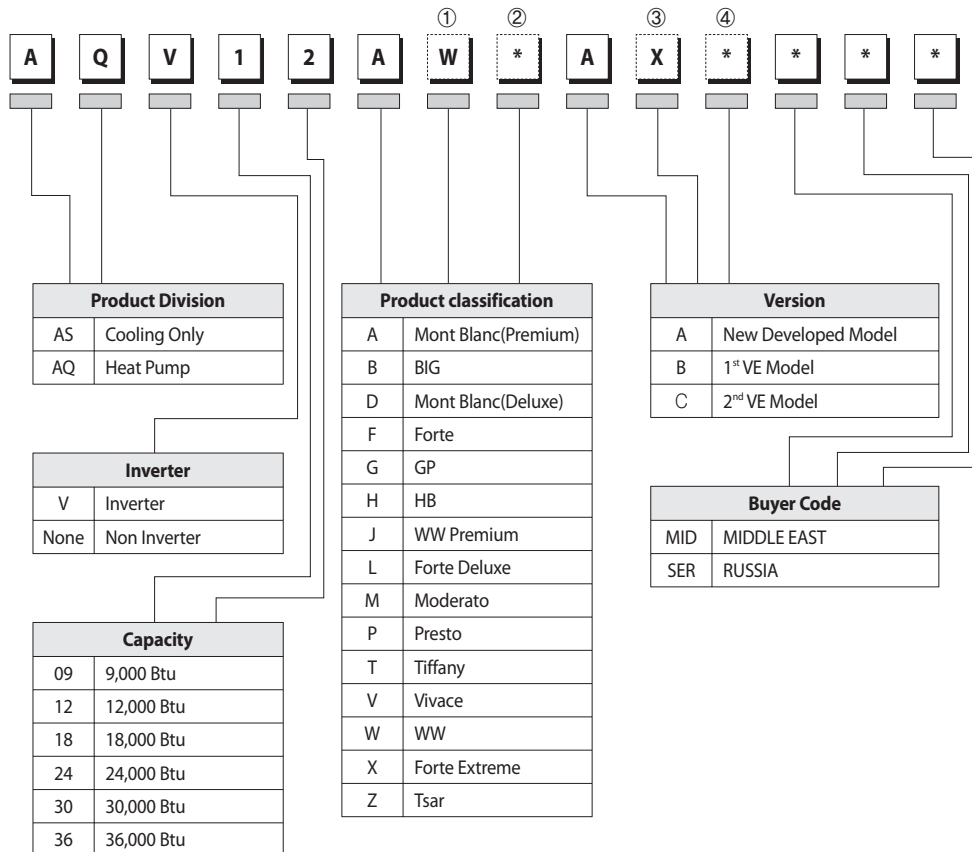
9-1 Refrigerating Cycle Diagram



9-2 Index for Model Name

* Project model code for overseas from 2008(For RAC Export Models)

Model Code



- ①: Use the " ① " digit for Grille Color deviation.
 : Don't use the digit for Basic White model.
 ex) Silver : S, Black : B, White : W, etc.
- ②: Use the " ② " digit for Electric Source deviation.
 : Only for "XAP", "XAX", "GEM" Buyer.
- ③: Use the " ③ " digit for classification between indoor and outdoor.
 Indoor ⇒ "N" & Outdoor ⇒ "X".
- ④: Use the " ④ " digit for KD models.
 "CKD" ⇒ "1" & "SKD" ⇒ "2".

9-3 Distribution chart of the Pressure

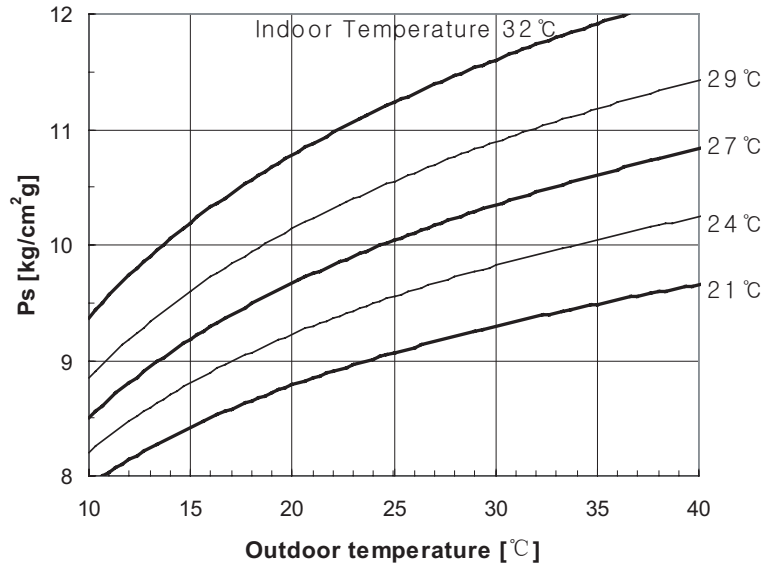
Note :

1. Please measure the refrigerant pressure after the air conditioner operates on the testing mode during more than 10 minutes.
2. There may be a much torelanc at the range not presented in this graph.

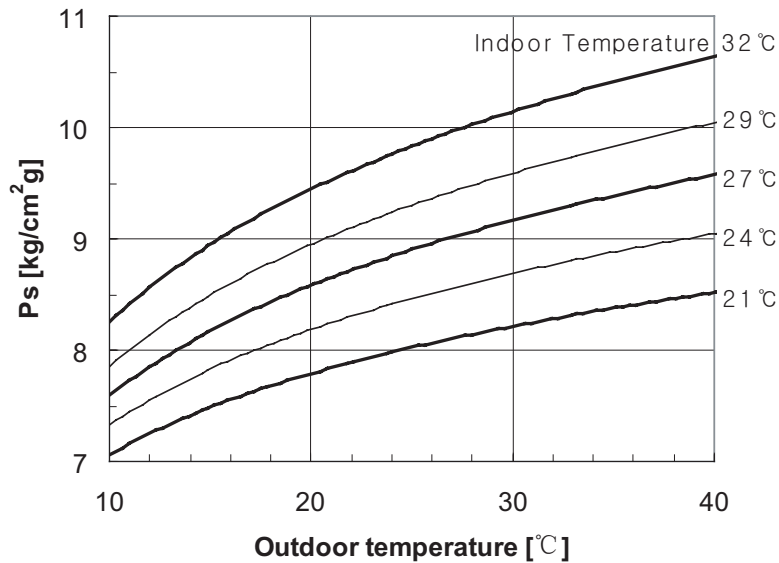
(Unit ; kg/cm²g)

AQV09A*A				AQV12A*A			
	DB21/WB15	DB27/WB19	DB32/WB23		DB21/WB15	DB27/WB19	DB32/WB23
10°C	7.97	8.49	9.40	10°C	7.13	7.62	8.33
21°C	8.74	9.75	10.78	21°C	7.68	8.56	9.33
35°C	9.49	10.69	12.00	35°C	8.44	9.51	10.56
43°C	9.80	10.88	12.31	43°C	8.62	9.62	10.74

AQV09A*A



AQV12A*A





GSPN(Global Service Partner Network)

Area	Web Site
North America	http://service.samsungportal.com
Latin America	http://latin.samsungportal.com
CIS	http://cis.samsungportal.com
Europe	http://europe.samsungportal.com
China	http://china.samsungportal.com
Asia	http://asia.samsungportal.com
Mideast & Africa	http://mea.samsungportal.com

This Service Manual is a property of Samsung Electronics Co., Ltd.
Any unauthorized use of Manual can be punished under applicable
International and/or domestic law.

© Samsung Electronics Co., Ltd. JAN 2009.
Code No.