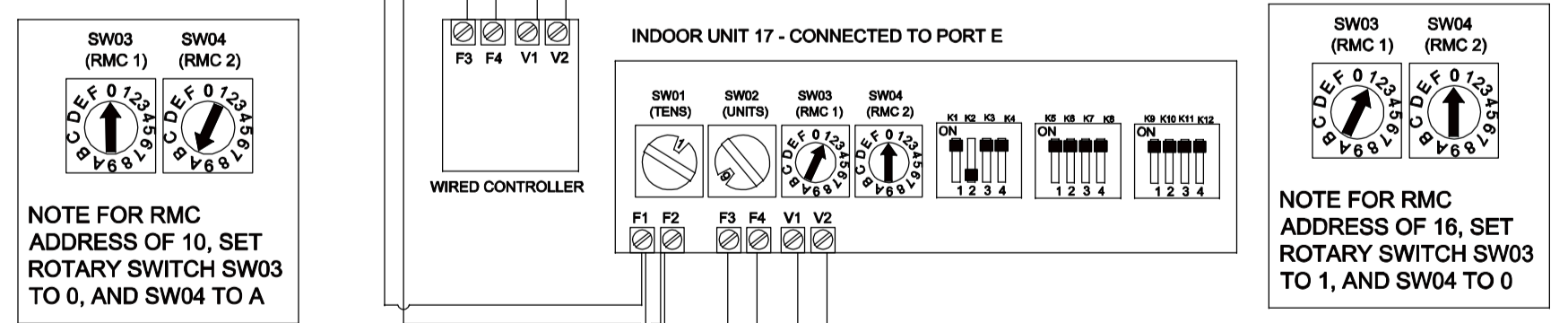
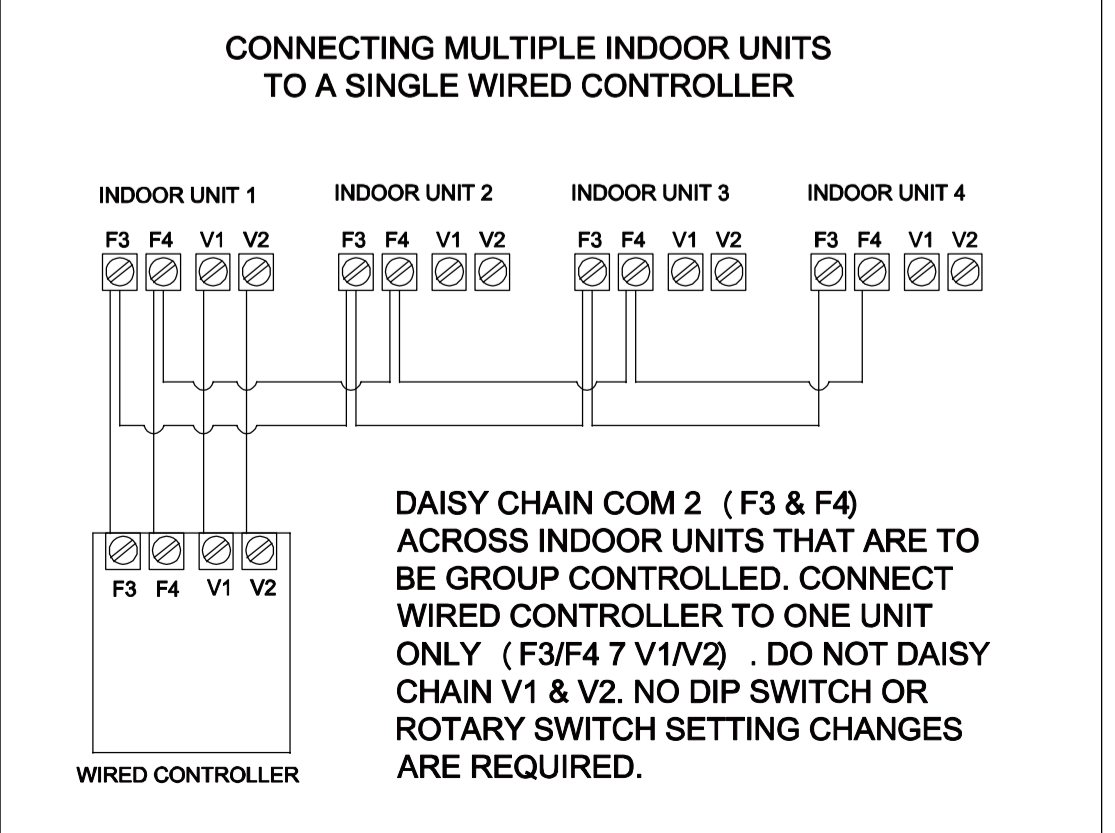
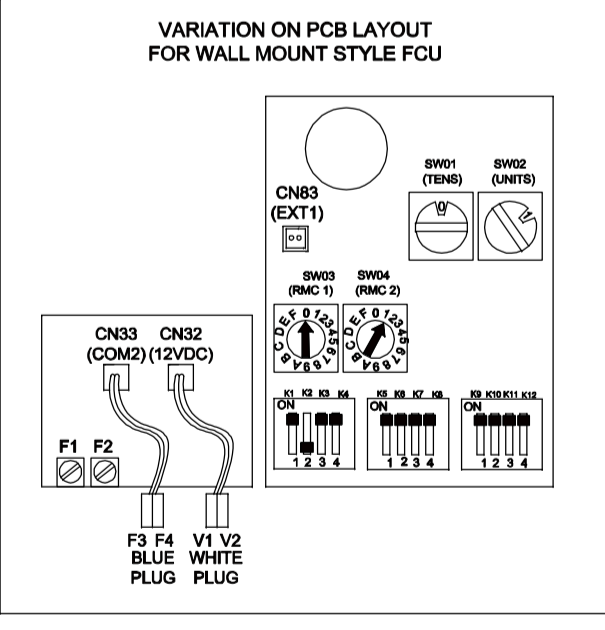


- NOTES**
- NOTE A** SW01 & SW02 - SET QUANTITY OF INDOOR UNITS INSTALLED ON SYSTEM. IN THIS INSTANCE SET TO 18X UNITS
  - NOTE B** SW04 DIP SWITCH K11 & K12 - SET TO OFF POSITION TO TARGET LOWER DISCHARGE PRESSURE (27.0kg/cm<sup>2</sup>)
  - NOTE C** SW09 - SET QUANTITY OF MCU BOXES INSTALLED ON SYSTEM. IN THIS INSTANCE SET TO 3X MCU BOXES.
  - NOTE D** PORT DIP SWITCHES - SWITCH CORRESPONDING PORT DIP SWITCH OFF IF PORT IS NOT IN USE. IN THIS INSTANCE ALL PORTS ARE IN USED AND SWITCHED TO ON POSITION.
  - NOTE E** PORT ADDRESS - SET PORT ADDRESS TO MATCH CONNECTED INDOOR UNIT ADDRESS. (I.E: PORT A ADDRESS MUST CORRESPOND WITH ADDRESS OF INDOOR UNIT THAT IS CONNECTED TO PORT A)
  - NOTE F** MCU ADDRESS - SET MCU ADDRESS
  - NOTE G** INDOOR UNIT ADDRESS - SET INDOOR UNIT ADDRESS, IN THIS INSTANCE ADDRESS IS 00
  - NOTE H** RMC ADDRESS - CENTRAL CONTROL ADDRESS, IN THIS INSTANCE ADDRESS IS 00
  - NOTE I** K2 DIP SWITCH - SET THIS DIP SWITCH TO OFF POSITION TO ENABLE CENTRALISED CONTROL
  - NOTE J** K11 DIP SWITCH - SET THIS DIP SWITCH TO OFF POSITION TO ENABLE EXTERNAL CONTACT CONTROL (OPTIONAL ACCESSORY)
  - NOTE K** CONNECT TO N/O CONTACTS ON KEY CARD INTERFACE RELAY
  - NOTE L** TAKE NOTE THAT THIS REPRESENTS A CENTRALISED CONTROL ADDRESS OF 10
  - NOTE M** K14 DIP SWITCH - SET THIS DIP SWITCH TO OFF POSITION TO SET OUTDOOR AS SUB UNIT 1



TITLE:	CONTROLS SCHEMATIC		
PROJECT:	TEMPLATE		
DATE:	01/03/2010		
DRAWN:	PP	SIZE:	A1
REF:	G1001/CS/001	REV:	0