



## Safety Precautions

*This installation manual indicates you to install the function controller which is connected to the centralized controller. For installation of other optional accessories, see an appropriate installation manual.*



### WARNING

- ◆ Read carefully this installation manual before installation and check whether the function controller is installed correctly after installation.
- ◆ Do not attempt to install or repair this function controller by yourself.
- ◆ This function controller contains no user-serviceable parts. Always consult authorized service personnel for repairs.
- ◆ When moving, consult authorized service personnel for disconnection and installation of the function controller.
- ◆ Ensure that the wall is strong enough to support the weight of the function controller.
- ◆ The function controller must be installed according to the national electrical rules by an installation specialist.
- ◆ When you want to disuse the function controller, consult authorized installation center.




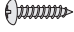


**CAUTION**

- ◆ Do not use inflammable gases near the function controller.
- ◆ Do not install the function controller in a location where it will come into contact with the combustible gases, machine oil, sulphide gas, etc.
- ◆ Avoid a location where acid/alkali solution or special spray is used.
- ◆ Choose a location that is dry and sunny, but not exposed to direct sunlight. Available temperature is between 0°C(32°F) and 39°C(102°F).
- ◆ Do not spill water into the function controller.
- ◆ Do not give tensile strength to the cable to avoid disconnection.
- ◆ Do not press buttons with a pointed thing.
- ◆ Do not connect the power cable to the control terminal.
- ◆ If the function controller is installed in a hospital or other special places, it should not affect other electronic devices.

# Function Controller Installation

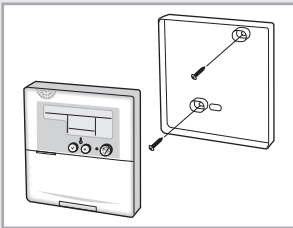
The function controller is an additional controller which is used with the centralized controller.

## Accessories

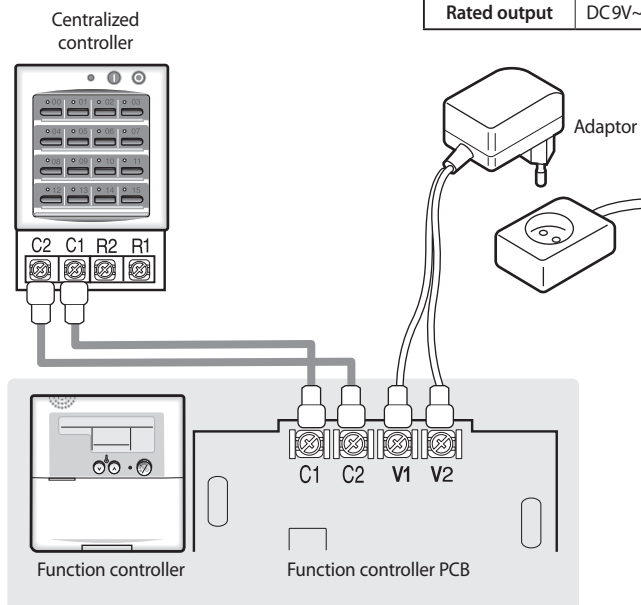
Function controller (1) 	Cable tie (2) 	Cable clamp (6) 	M4x16 tapped screw (7) 
User's manual (1) 	Installation manual (1) 		

## Function Controller Installation

- 1 Disassemble the function controller by using a groove on its top.
- 2 Secure the rear cover of the function controller on the wall with two screws.
- 3 Connect the C1 and C2 terminals in the function controller to the same terminals in the centralized controller.
- 4 Set the address switch of the function controller.  
The address of the function controller should be the same as that of the centralized controller's.



## 5 Reassemble the function controller.



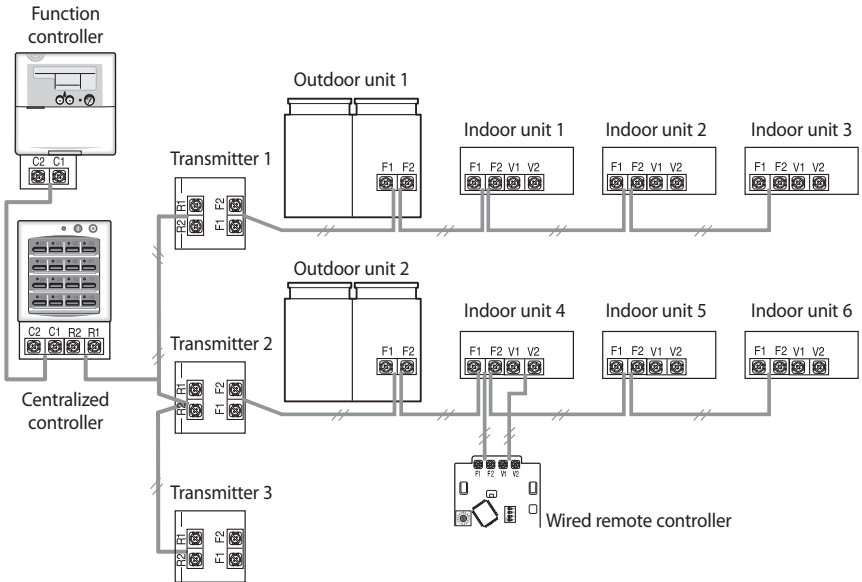
### Caution

- ◆ **You must align the same terminal when connecting cables. If the cables are connected improperly, the function controller will not work.**
- ◆ **The adaptor is not supplied with the function controller. Keep the polarity below.**  
 - V1 : DC +9V~+12V, V2 : DC Ground

# Function Controller Installation (Continued)

## Wiring Diagram

- ◆ Install the transmitter, another optional accessory, in the outdoor unit which will be controlled by the centralized controller, then connect the function controller and the centralized controller to the transmitter.
- ◆ Each outdoor unit connected to the same centralized controller must have its own transmitter.
- ◆ Distance between the centralized controller and the last transmitter should be 1000 meters or less.







**ELECTRONICS**